

Sharks Tales

Newsletter of the
Sheboygan Area Radio Kontrol Society
November 2021



www.sharksrc.com

The Prez Sez...

By Mike Gradinjan

Say Hey, SHARKSters!

Can you believe the weather we had this weekend?!? It was a bit breezy, but this new group of regulars seems determined to fly! The RC car guys had another drag race Sunday, and Jon & I actually brought out our cars and took advantage of the dry but weedy dirt track. We know it has to end when the calendar says November, but I hope you get a chance to enjoy it before we get snowed out. It's not too late to check off your work hours, so contact Rick if you'd like to help out. The 2022 Membership Renewal form is included in this newsletter, if you'd like to get that taken care of.

The AHC has restarted their monthly movie nights, where we man the concession stand. This Friday, November 12, we'll be showing the movie [PT 109](#) with Cliff Roberson as LT John F Kennedy. The movie starts at 7. Helpers and indoor flyers should be there at 6. We've had a great crew the last couple months, and I hope that continues. It makes Dave Meyer's life a lot easier. Please contact him if you can make it.

Our next SHARKS "Meeting" will be next month, Saturday, December 11, when we'll have our annual BYO Christmas Lunch at the Roadside Bar & Grill, just south of HWY's 57 & C. We'll start with a meet & greet in the bar at 11AM, and move to the dining room around noon. Significant others and kids are invited. Let me know if you're coming so I can alert them to the number we expect. I hope to see everybody there!

As always, contact me or any officer or board member with any questions or concerns you have, but in the meantime, Happy Flying RC'ing, and Happy Thanksgiving!

That's about it for now-

Mike

Apache Charge Box Build

By: Tony Lewis

For the last 6-7 years, I have been hauling around a makeshift charging box made from an old aluminum tool case. Back when my original chargers were the size of a World Book Encyclopedia, it worked very well. But now it's just big, clunky, and looks pretty ragged. So, I thought it was time to update my equipment.

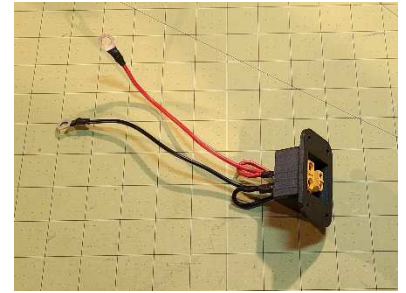


I purchased an Apache 2800 waterproof case from Harbor freight then gathered all the goodies that will be installed in it. I replaced my old Hobbyking 200W charger with a nice new and much more compact ISDT Q6 Nano. I had previously replaced my other old charger with an ISDT Q6 Lite. For now, will keep that charger active. Eventually, I plan to update it to a matching Q6 Nano.

I designed and 3D printed fittings for the connections through the case itself, and a charge block that holds an XT30, 60, and 90 charge port. These are the 3 most common connectors I use and will carry adapters for any others I may need. You can find the stl files for these parts on my website, dynamic-rc.com.

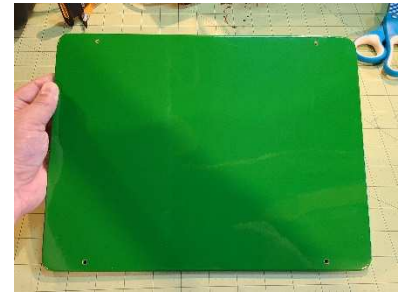


I knew that trying to solder connectors once installed in a 3D printed part would be tough to do without distorting the printed piece. I made as many solder joints as possible prior to installing the connectors in the brackets. I still had to make a couple of connections on the charge block after the connectors were in place. It can be done without overheating the printed part, you just have to be careful.



The AC input connector mounted on the side of the box I robbed from an old computer power supply I had. They can also be easily sourced from Amazon.

The chargers are mounted on a plate that will sit above the power supply. I cut this from a piece of 1/4" craft ply. I screwed a couple of hardwood blocks along the front and back sides of the case that this plate sits on. Then a couple of screws down from the top were used to make sure it cannot move. I finished this plate with some scrap film covering I had.



The power supply is mounted in the bottom of the box using some plastic hanger wrap. The bolts from the bottom are flat head 8-32 bolts counter-sunk into the bottom of the box so that it will still sit solidly on a flat surface.



All the fittings and wiring were assembled for the final time. The chargers and balance boards are attached to the plywood plate with some Scotch brand Extreme Hook & Loop Fasteners.

I tried to make this project as quick and simple as possible so I could get back to building planes as soon as possible. There are probably better ways to do some of this, but I am happy with the way it turned out. And it is definitely better than what I was hauling around previously.



Below are the items I used and where I purchased them.

Apache 2800 medium waterproof case – Harbor Freight \$28

6mm craft plywood – Menards \$3

3/4" square dowel – Menards \$4

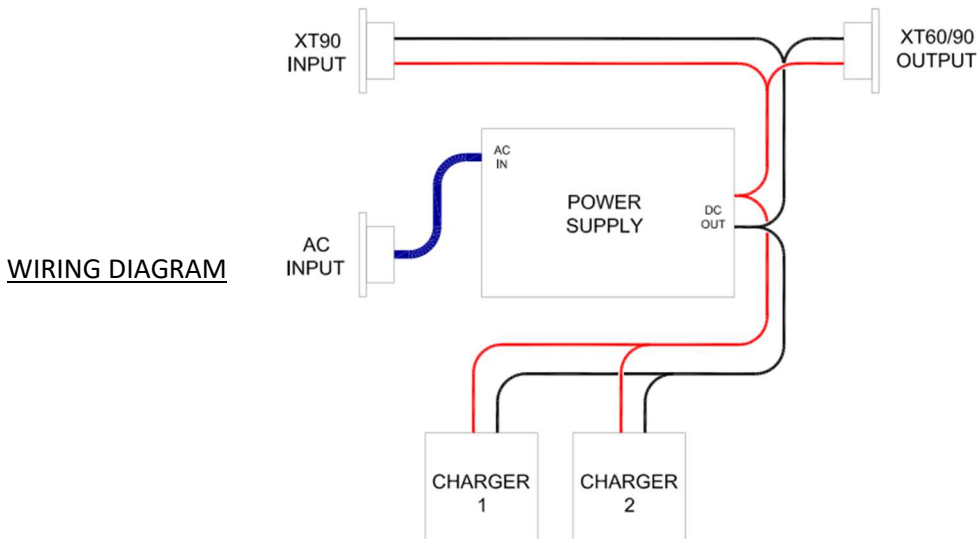
Plastic pipe hanging wrap – Menards \$2

ISDT Q6 Nano charger – BuddyRC \$35

Scotch Extreme Fasteners – Menards \$3

AC power inlet C14 socket – I scavenged mine from an old computer power supply I had, but you can find these all over online for \$5 or less.

My power supply is a 12v, 15A Radio Shack unit no longer available. You can find several comparable units on Amazon for \$20 or less



+++++

President & Web Editor:

Mike Gradinjan

Vice President: Warren Waddell

Treasurer: Joe Kuranz

Secretary & Newsletter Editor: Tony Lewis

Board Members: Dave Meyer,
John Mazzanti, Adam Scheblein

WEB LINKS

<http://www.sharksrc.com>

<https://www.modelaircraft.org/>

<https://roarracing.com/>

2022 S.H.A.R.K.S. Membership Renewal Notice

The basic dues for membership in the SHARKS for 2022 are \$50 for Regular Membership, \$25 for an Additional Family Membership, and \$5 for Junior Membership (18 and younger) and are due in January 2022. Also, you will have the option of volunteering for 15 hours of club-benefiting activities or opting-out for an additional \$75. Please fill out this invoice completely and bring it with your payment to the February meeting, or send it with your check, made out to **SHARKS**, to the Treasurer:

Joe Kuranz
2850 Ashby Court
Sheboygan, WI 53081

Type of Membership (Check One)
 Regular _____ Additional _____ Junior _____

Name _____ Phone (_____) _____

Address _____ AMA/ROAR# _____

e-mail _____

Parent or Guardian Signature if Junior _____

Would you like to receive the *Sharks Tales* newsletter via e-mail? Yes _____ No _____

Choose Your Dues

Type of Membership	Junior	Regular	Additional Family Adult
Basic Dues	\$5.00	\$50.00	\$25.00
Check here if volunteering for 15 hours of club-benefiting activities for 2022	N/A		
-OR- Add \$75.00 for Opt-Out	N/A		
\$5.00/hour of activities not completed in 2021	N/A		
Total Dues:	\$5.00		

If volunteering for club service, please check any activities you would be interested in participating in. This is not intended to force you into any particular activity, but it will help us find volunteers if we need more help in a particular area.

- | | | |
|-------------------------|-------------------------|---------------------------|
| _____ Club Officer | _____ Flight Instructor | _____ Other (Please List) |
| _____ Newsletter | _____ Public Relations | _____ |
| _____ Fun-Fly Duties | _____ Exhibits/Demos | _____ |
| _____ Field Maintenance | _____ AHC Movie Nights | _____ |

NEXT S.H.A.R.K.S. MEETING:

11AM, SATURDAY

DECEMBER 11, 2021

ROADSIDE BAR & GRILL

N5575 HWY 57, PLYMOUTH, WI

**S.H.A.R.K.S.
2850 ASHBY COURT
SHEBOYGAN, WI 53081**

